



TEST GAUGES

SOLFRUNT® 4-1/2" Models 1403 and 1404 Test Gauges

DESCRIPTION

Series 1400 4-1/2" SOLFRUNT test gauges are designed to combine laboratory test gauge accuracy with carrying case or rolling test stand portability, and frequently are permanently installed on instrument shop test benches or test panels. These gauges feature a $\pm 0.25\%$ accuracy (Grade 3A) solid front case, which provides a partition between the pressure measuring element and the window, with a pressure relieving back. Accurate gauge reading is accomplished by sighting the knife edge of the indicating pointer with the paralleling pressure graduation, while simultaneously eliminating the pointer's image on the mirrored dial edge. An adjustable pointer provides front zero adjustment. Other calibration adjustments can be made from the back without removal from the case. Metric ranges are available upon request.

4-1/2"
Model 1403



4-1/2"
Model 1404

SPECIFICATIONS

- SIZES:** 4-1/2"
- ACCURACY:** $\pm 0.25\%$ of span (Grade 3A)
- BOURDON TUBE:** Silver brazed; *Phosphor bronze*: 30" Hg VAC through 60 psi; *Beryllium copper*: 100 through 5000 psi
- WINDOW:** Molded acrylic with gasket
- MOVEMENT:** Geared ARC-LOC with parts of phosphor bronze and stainless steel to minimize friction and wear
- DIAL:** White coated aluminum, black markings and mirrored edge
- POINTER:** Knife-edged, black, adjustable
- CASE:** SOLFRUNT, Cast aluminum, black finish with aluminum pressure relieving back; *1403*: Front flanged for panel mounting; *1404*: Flangeless for stem mounting
- RING:** *1403*: Steel hinged, black finish; *1404*: Aluminum snap-lock bayonet, black
- CONNECTION:** 1/2-14 ANPT standard (1/4-18 ANPT optional), brass

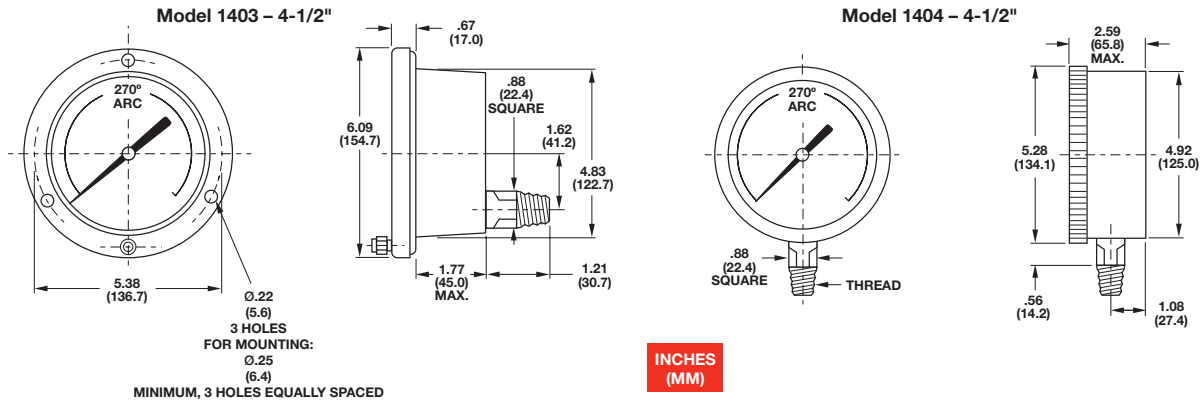
Standard Ranges

| Maximum Indication | Figure Intervals | Smallest Intervals |
|--------------------|------------------|--------------------|
| 30" Hg VAC | 2" Hg VAC | 0.1" Hg VAC |
| 15 psi | 1 | 0.05 |
| 30 psi | 2 | 0.1 |
| 60 psi | 5 | 0.2 |
| 100 psi | 5 | 0.5 |
| 160 psi | 10 | 1 |
| 200 psi | 10 | 1 |
| 300 psi | 20 | 1 |
| 600 psi | 50 | 2 |
| 1000 psi | 50 | 5 |
| 1500 psi | 100 | 5 |
| 2000 psi | 100 | 10 |
| 3000 psi | 200 | 10 |
| 5000 psi | 200 | 20 |



TEST GAUGES

SOLFRUNT® 4-1/2" Models 1403 and 1404 Test Gauges



| Spec Number Selection Chart | | |
|-----------------------------|--|--|
| Test Gauges | Model No. 1403 1/2-14 ANPT, Lower-Back Mount* | Model No. 1404 1/2-14 ANPT, Lower Mount* |
| Bourdon Tube | Phosphor Bronze (30" Hg VAC through 60 psi) Beryllium Copper (100 psi through 5000 psi) | Phosphor Bronze (30" Hg VAC through 60 psi) Beryllium Copper (100 psi through 5000 psi) |
| Connection | Brass | Brass |
| Sizes | 4-1/2" | 4-1/2" |
| Ranges | Spec No. | Spec No. |
| 0-30" Hg | 132258 | 132243 |
| 0-15 psi | 132255 | 132240 |
| 0-30 psi | 132256 | 132241 |
| 0-60 psi | 132257 | 132242 |
| 0-100 psi | 132259 | 132244 |
| 0-160 psi | 132260 | 132245 |
| 0-200 psi | 132261 | 132246 |
| 0-300 psi | 132262 | 132247 |
| 0-400 psi | 132263 | 132248 |
| 0-600 psi | 132264 | 132249 |
| 0-1000 psi | 132265 | 132250 |
| 0-1500 psi | 132266 | 132251 |
| 0-2000 psi | 132267 | 132252 |
| 0-3000 psi | 132268 | 132253 |
| 0-5000 psi | 132269 | 132254 |

* 1/4-18 ANPT available – use 133XXX when ordering